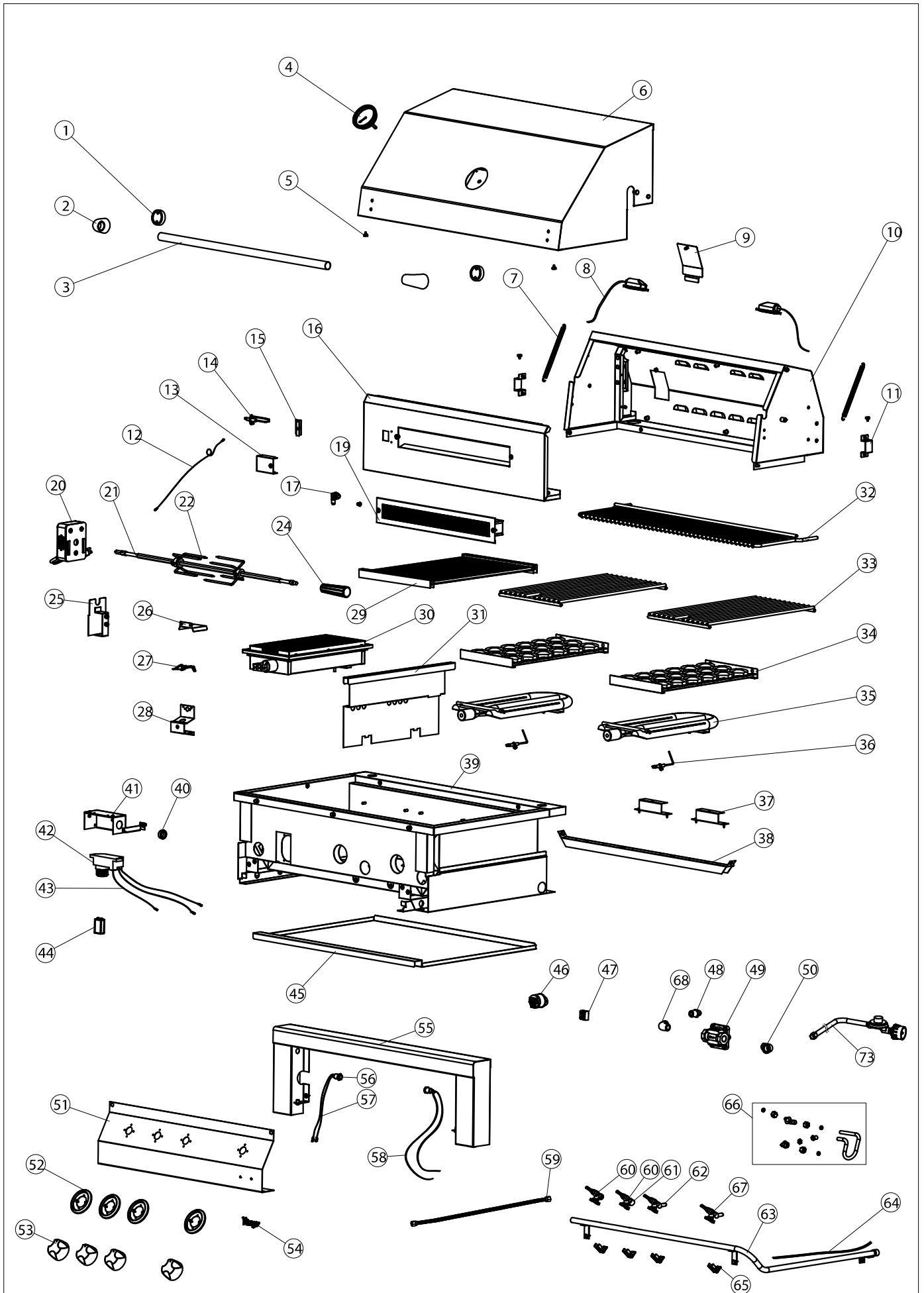


VBQ36G & VBQ36SZ



VBQ36G & VBQ36SZ

Item	Description	Part #	Qty.
1	BLACK SPACER FOR HANDLE	VP-40569	2
2	HOOD HANDLE END CAP (NOT AVAILABLE SEPARATE FROM HANDLE)	N/A	2
3	HOOD HANDLE FOR 36" (INCLUDES END CAPS)	VP-40566	1
4	TEMPERATURE GAUGE	VP-40572-1	1
5	RUBBER HOOD STOPPER	VP-40597	4
6	HOOD ASSEMBLY FOR 36" (HANDLE / TEMP GAUGE NOT INCLUDED)	VP-40562	1
7	SET OF SPRINGS (PRODUCED BEFORE AUG. 2014)	VP-40584-2	1
	SET OF SPRINGS (PRODUCED AFTER AUG. 2014)	VP-40584-5	1
8	INTERIOR LIGHT ASSEMBLY (PRODUCED AFTER 2008)	VP-40577	2
9	BACK BURNER ORIFICE ACCESS PANEL	VP-40800	1
10	BACK HOOD FOR 36"	VP-40801-2	1
11	HOOD LIMIT PLATE	VP-40802	2
12	ROTIS INFRARED BURNER IGNITER WIRE FOR 36" (NOT AVAILABLE SEPARATE FROM IGNITER)	N/A	1
13	BACK BURNER IGNITOR COVER	VP-40803	1
14	ROTIS INFRARED BURNER IGNITER W/WIRE FOR 36" (1600mm wire)	VP-40520-2	1
15	IGNITER BRACKET FOR REAR BURNER	VP-40804	1
16	BACK BURNER PANEL FOR 36"	VP-40805-2	1
17	ROTIS INFRARED ORIFICE FITTING	VP-40806	1
19	ROTIS INFRARED BURNER (INCLUDES PANEL & IGNITER)	VP-40514	1
20	ROTIS MOTOR	VP-40534	1
21	ROTIS ROD FOR 36"	VP-40538	1
22	ROTIS FORKS (SET OF 2) W/THUMB SCREWS FOR 30"/36"	VP-40535-1	1
24	ROTIS ROD HANDLE FOR 30"/36"	VP-40536-1	1
25	ROTIS MOTOR MOUNTING BRACKET	VP-40807	1
26	SMOKER / SEAR IGNITER COVER	VP-40808	1
27	SEAR ZONE IGNITER	VP-40522	1
28	SEAR ZONE BURNER ORIFICE BRACKET FOR 30"/36"/42"	VP-40809	1
29	V ROD GRATE FOR 36"	VP-40550	1
30	SEAR ZONE BURNER	VP-40518	1
31	HEAT SEPARATOR FOR 30"/36"/42"	VP-40810	1
32	SS WARMING RACK FOR 36"	VP-40554	1
33	GRATE FOR 36"	VP-40545	3(G), 2(SZ)
34	BRIQUETTE TRAY FOR 36"	VP-40543	3(G), 2(SZ)
35	MAIN U BURNER	VP-40511	3(G), 2(SZ)
36	MAIN U BURNER IGNITER	VP-40519	3(G), 2(SZ)
37	BURNER BRACKET CUSHION BOARD	VP-40606	3(G), 2(SZ)
38	BURNER BRACKET FOR 36"	VP-40606-2	1
39	BASIN FOR 36"	N/A	1
40	WIRE PROTECTION COLLAR	VP-40811-2	1
41	SPARK MODULE BRACKET	VP-40529-3	1
42	4PT SPARK MODULE (Must order w/bracket VP-40529-3 if made before 2019)	VP-40529-2	1
43	IGNITER WIRING KIT - 36" (3 wires = 1 of 800mm, 2 of 320mm) DOESN'T INCLUDE ROTIS WIRE	VP-40531	1
44	BATTERY (9 VOLT FOR OLD MODULE, AA FOR NEW MODULE) OBTAIN LOCALLY	N/A	1
45	DRIP TRAY FOR 36"	VP-40586	1
46	POWER SOCKET	VP-40583	1
47	TERMINAL BLOCK	VP-40812	1
48	INCOMING FITTING	VP-40813	1
49	REGULATOR	VP-40600	1
50	1/2 FITTING	VP-40814	1
51	CONTROL PANEL (NO SEAR ZONE) FOR 36G	VP-40558	1
	CONTROL PANEL (WITH SEAR ZONE) FOR 36SZ	VP-40590	1
52	KNOB BEZEL	VP-40575	4

53	KNOB	VP-40574	4
54	LOGO PLATE	VP-40573	1
55	BULL NOSE FOR 36"	VP-40594	1
56	IGNITER SWITCH	VP-40581	1
57	IGNITER SWITCH WIRE	VP-40816	2
58	INTERIOR LIGHT SWITCH	VP-40580	1
59	STAINLESS FLEX LINE FOR 36"	VP-40817-2	1
60	ROTIS INFRARED BURNER VALVE FOR 30"/36"/42"	VP-40524	1
61	RIGHT ANGLE FITTING	VP-40818	1
62	MAIN U BURNER VALVE FOR 30"/36"/42"	VP-40523	3(G), 2(SZ)
63	MANIFOLD FOR 36"	VP-40700-3	1
64	LIGHT WIRE HARNESS FOR 36"	VP-40607-2	1
65	LATCH FOR VALVE (NOT AVAILABLE SEPARATE FROM VALVE)	N/A	4
66	SMALL HARDWARE KIT FOR 30"/36" (BRASS NUTS, SEALS, VALVE & ORIFICE FITTING, GAS TUBE)	VP-40819	1
67	SEAR ZONE INFRARED BURNER VALVE - LIQUID PROPANE	VP-40526-2	0(G), 1(SZ)
	SEAR ZONE INFRARED BURNER VALVE - NATURAL GAS	VP-40526-1	0(G), 1(SZ)
68	ELBOW FOR REGULATOR	VP-40815	1
	LP TANK REGULATOR W/HOSE	VPGRREGHOSE	1
	LP CONVERSION KIT (COMPLETE)	VPGRLP	1
	NG CONVERSION KIT (COMPLETE)	VPGRNG	1